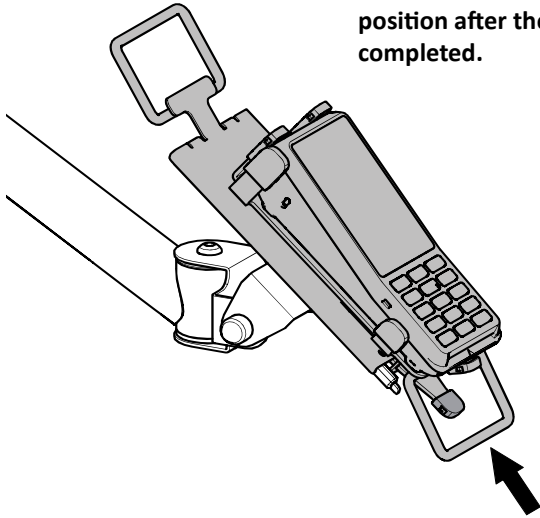


3 Move terminal back to starting position

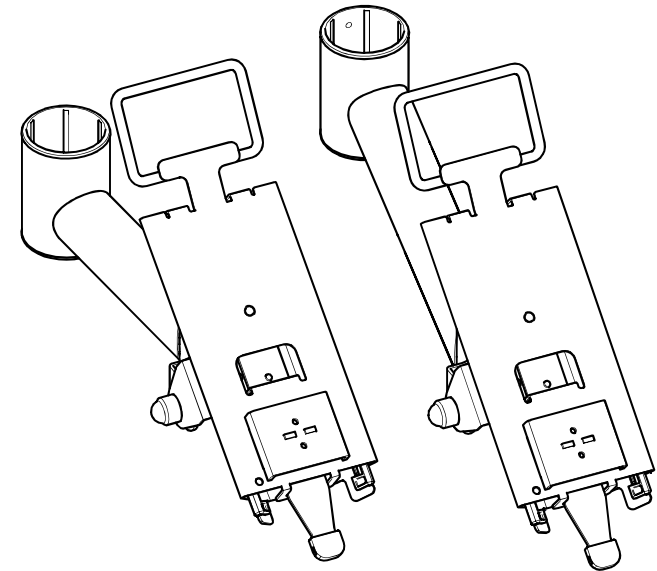
Move the terminal back to the starting position after the transaction has been completed.



Installation Guide

ACA301 + ACA302

PAYlift

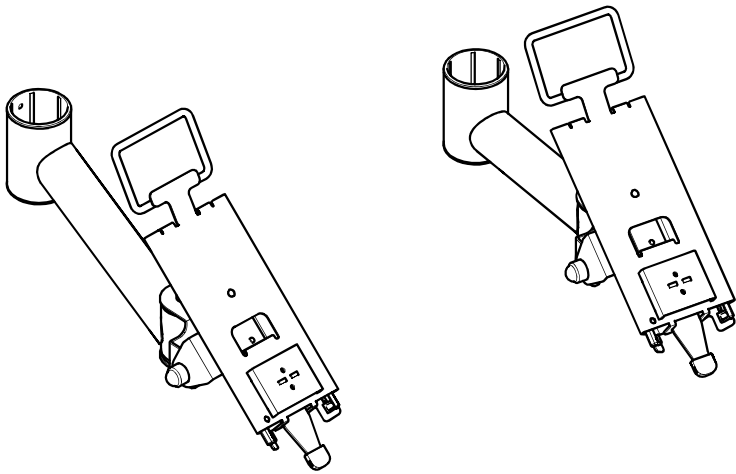


Box content

ACA301

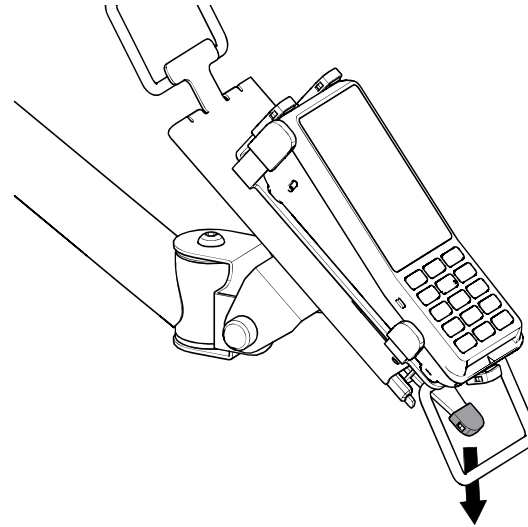
OR

ACA302

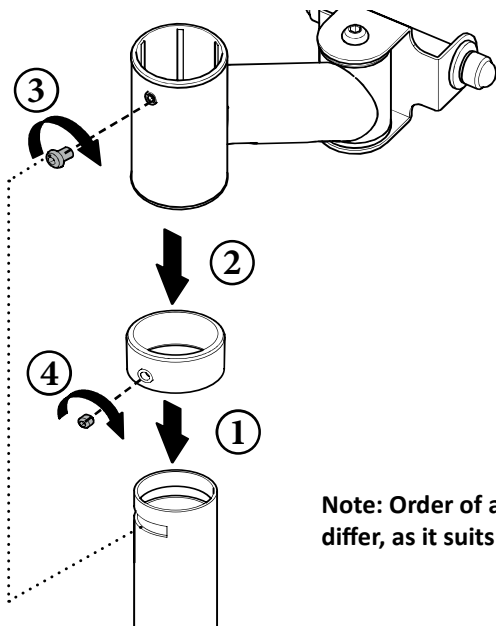


1 Press lever down, toward the round handle

Note: Mount the MultiGrip plate so that the blue frictionpad on the lever is between the front of terminal and handle on MultiGrip plate.



Pole Mounting



Note: Order of assembly can differ, as it suits the installer.

2 Moving the payment terminal down

Press the lever, and pull down until appropriate position is reached. Then release the lever.

Note: There are three options for the position of the payment terminal.

